

THIS DRAWING IS UNPUBLISHED.

RELEASED FOR PUBLICATION

ALL RIGHTS RESERVED.

© COPYRIGHT - By -

REVISIONS

P	LTR	DESCRIPTION	DATE	DWN	APVD
E3		REVISED PER ECR-19-019184	10DEC2019	BH	E.W

$\phi 1.78$
 $\phi 1.65$ [$\phi .070$
 $\phi .065$]
HOLE

6.35±0.08 [.250±.003]

7.92 [.312]

3.48 [.137]
3.33 [.131]

15.80 [.622]

3.18 [.125]

1.22 [.048]
1.12 [.044]

1.42 [.056]
1.32 [.052]

5.08 [.200]

0.84 [.033]
0.77 [.030]

7.50 [.295]

AMP



0.00381 [.000150] MIN TIN OVER
0.00254 [.000100] MIN THK COPPER.

2

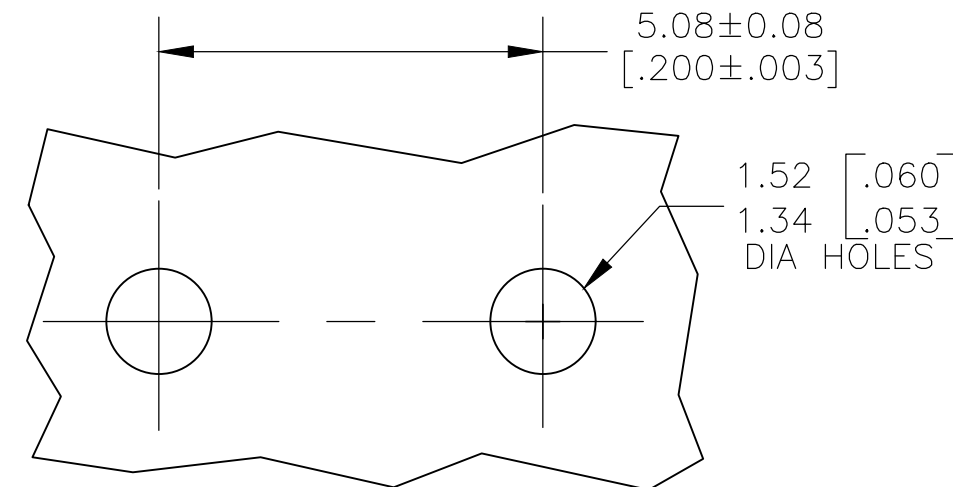
CONTACT PITCH 10.67 [.420] FOR STRIP
VERSION 1-1217056-0



MAX 3 SPLICES PER REEL ALLOWED FOR
STRIP VERSION 1-1217056-0.



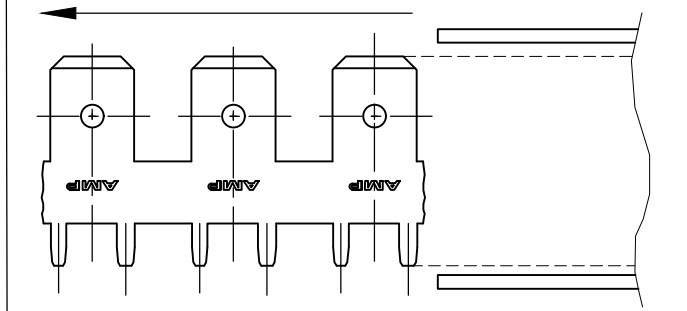
PACKAGING: N. 6000 PCS IN STRIP MUST BE
PLACED ON REEL P/N 999449-3.
N.3 REELS PER BOX P/N 995536-1.
TOTAL: 18000 PCS/BOX.



P.C. BOARD HOLES
SCALE 10:1

		STRIP	1-1217056-0
LOOSE PIECE			1217056-1
SUPPLYING CONDITION			PART NUMBER

STRIP DIRECTION TOP
OFF THE REEL



THIS DRAWING IS A CONTROLLED DOCUMENT.

DWN JR RUTH 20MAR01

CHK MS FEHER 20MAR01

APVD N DEIBERT 20MAR01

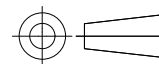
PRODUCT SPEC

APPLICATION SPEC

WEIGHT 0.000000

CUSTOMER DRAWING

DIMENSIONS:
INCHES



TOLERANCES UNLESS
OTHERWISE SPECIFIED:

0 PLC	± -
1 PLC	± -
2 PLC	± 0.38 [.015]
3 PLC	± -
4 PLC	± -
ANGLES	± -
FINISH	

MATERIAL
BRASS



STE TE Connectivity

NAME
TAB, FASTON,
PC BOARD,
6.35 [.250] SERIES

SIZE A3 CAGE CODE 00779 DRAWING NO C-1217056 RESTRICTED TO -

SCALE 8:1 SHEET 1 OF 1 REV E3